

PCI Membranes
Ultrafiltration Modules



A37 Series

The A37 tubular UF system incorporates a robust, low-cost module in stainless steel or plastic, together with a choice of tubular membranes in various materials. The removable core design (RCM) permits simple, rapid, and inexpensive membrane replacement.

The modules are 3.66m in length, housing 37 membranes, 12.5mm in diameter, cast in epoxy resin at each end. The shorter length is designed for retro-fitting to non-PCI systems.

To ensure system integrity, permeate sampling from individual modules is available. Manufactured with materials approved by the FDA, CFR21 and EU regulations. The open channel design processes liquids with high levels of suspended solids without plugging and facilitates highly effective cleaning in place.

The compact design gives the module a high strength allowing operating pressures of 7 bar. PCI's unique in-situ replaceable core enables fast, easy and cost effective remembraning.

REPLACEABLE MEMBRANE CORE

Allows fast, cost-effective remembraning, reducing downtime.

PROVEN MEMBRANES

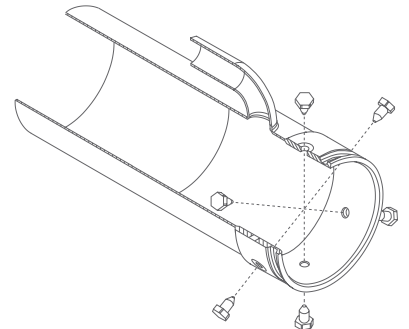
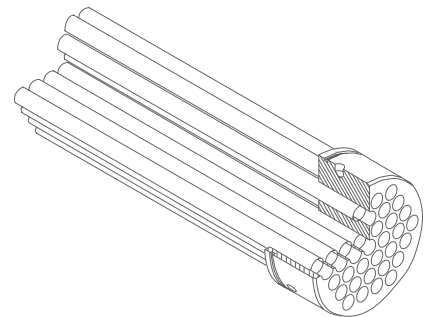
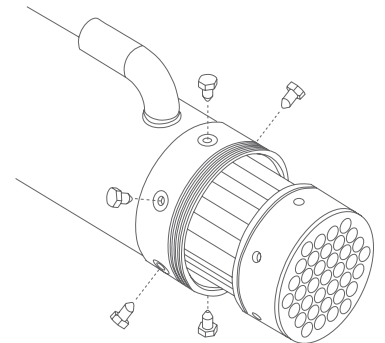
With applications in food, beverage, chemical, MBR and pharmaceutical industries.

COMPACT MODULE DESIGN

Quick and easy plant construction.

TUBULAR MODULE

Minimal prefiltration required, suited to liquids and high levels of suspended solids.



Dimensions	
Length (m)	3.66
Membrane Area (m ²)	5.10

Connection	
Permeate	1" tri-clamp or plain 90° Spigot in AISI 316SS
Feed	4" tri-clamp in AISI 316SS

Additional Details	
Operating Pressure	Up to 7 bar max
Operating Temperature	Up to 60°C
Shroud Material	AISI 316 Stainless Steel
Membrane Type	A range of UF membranes in PVDF
pH Range	1.5-10.5

CASE STUDY HISTORY

- Ultra-compact wastewater plant for 'Venice's garden' (S'ant Erasmo)

"Ultrafiltration (UF) is a variety of membrane filtration in which hydrostatic pressure forces a liquid against a semipermeable membrane. Suspended solids and solutes of high molecular weight are retained, while water and low molecular weight solutes pass through the membrane. This separation process is used in industry and research for purifying and concentrating macromolecular solutions, especially protein solutions. Ultrafiltration is applied in cross-flow and separation in ultrafiltration undergoes concentration polarization."